

Customer Services:

gardentrading.co.uk

+44 (0)1993 845 559

customerservices@gardentrading.co.uk

Opening Hours: Monday - Friday: 8.30am - 5.30pm (Friday close at 5.00pm)

The Garden Trading Company Ltd, Carterton South Industrial Estate, Black Bourton Road, Carterton, Oxon, OX18 3EZ

Garden Trading®

Linea Hallway Bench - Ash Assembly Instructions

Please read through these instructions and ensure they are kept for future reference.

Please note the parts and hardware list is on the back of this manual.



Customer Services:

gardentrading.co.uk

+44 (0)1993 845 559

customerservices@gardentrading.co.uk

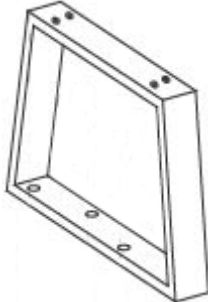
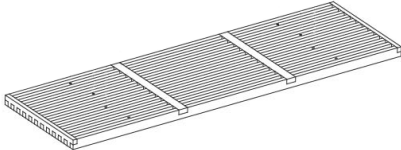


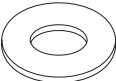

Opening Hours: Monday - Friday: 8.30am - 5.30pm (Friday close at 5.00pm)

The Garden Trading Company Ltd, Carterton South Industrial Estate, Black Bourton Road, Carterton, Oxon, OX18 3EZ

Garden Trading®

Indoor use only. Max weight 120kgs.

Parts & Hardware List

A		x 2 PC
B		x 1 PC
C		x 8 PC
D		x 8 PC
E		x 8 PC
F		x 1 PC

