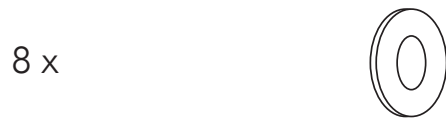
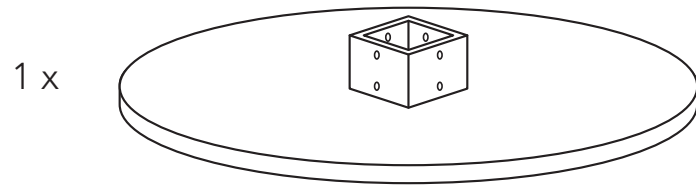


Whats Included

*Please note spanner required (not supplied)



Customer Services:

gardentrading.co.uk

+44 (0)1993 845 559

customerservices@gardentrading.co.uk

Opening Hours: Monday - Friday: 8.30am - 5.30pm (Friday close at 5.00pm)

The Garden Trading Company Ltd, Carterton South Industrial Estate, Black Bourton Road, Carterton, Oxon, OX18 3EZ

Garden Trading®

Clockhouse Dining Table in Carbon - Oak & Beech Assembly Instructions

Please read through these instructions and ensure they are kept for future reference.

Please note, this product is not supplied with a spanner to fix the bolts.

2-man assembly is recommended for this product.



Customer Services:

gardentrading.co.uk

+44 (0)1993 845 559

customerservices@gardentrading.co.uk

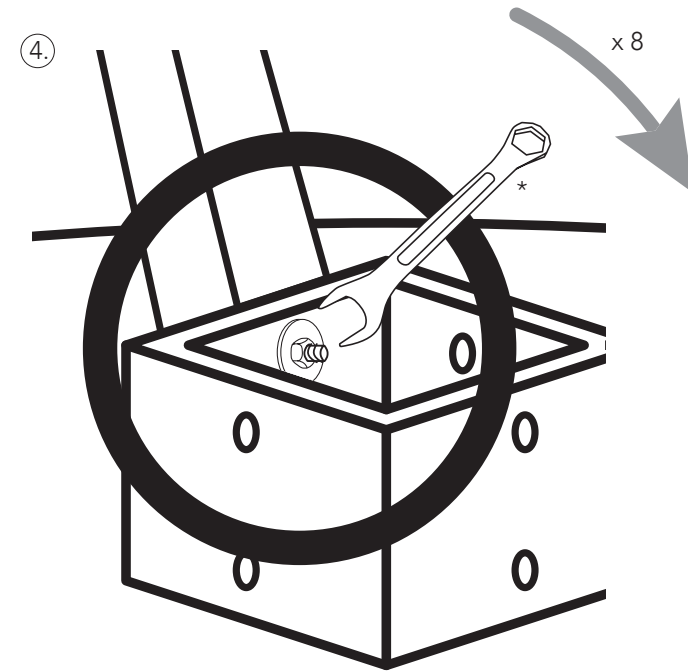
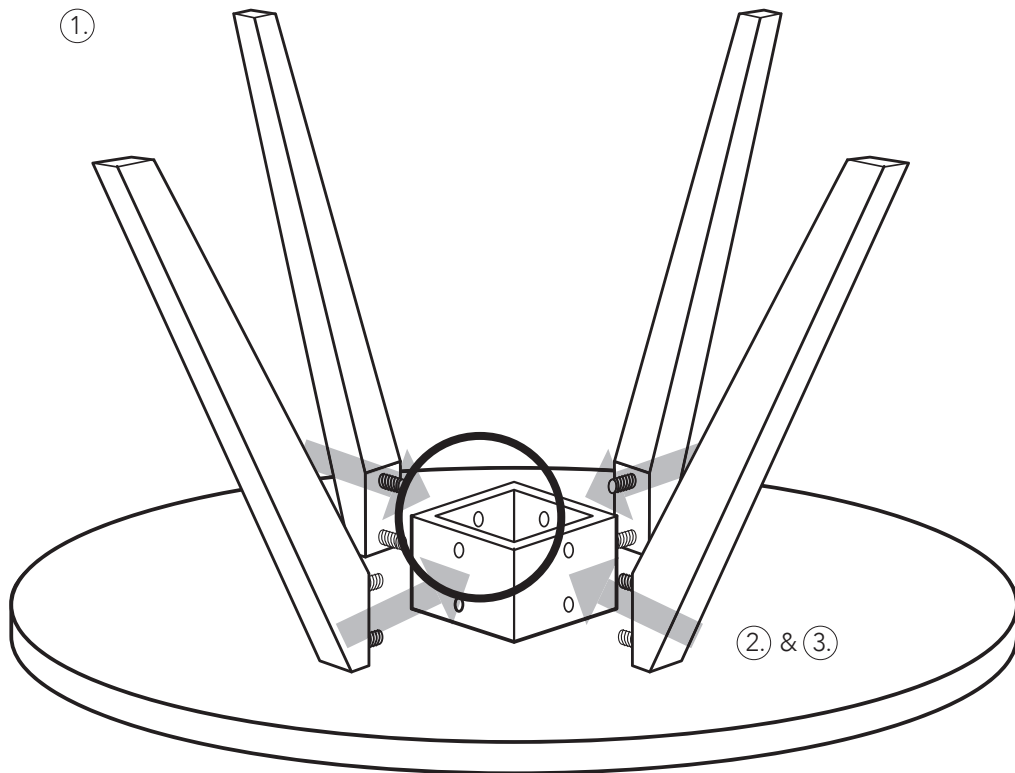
Opening Hours: Monday - Friday: 8.30am - 5.30pm (Friday close at 5.00pm)

The Garden Trading Company Ltd, Carterton South Industrial Estate, Black Bourton Road, Carterton, Oxon, OX18 3EZ

Garden Trading®

Assembly Instructions

1. To protect the table top during assembly, ensure its placed upside down onto a soft surface e.g. flattened box, carpet or rug.
2. The four legs each come with 2 x screws already secured into each leg. These should be lined up into the holes of the box in the centre of the table.
3. Each leg should be pushed flush into the holes provided and secured using 2 x washers then the 2 x bolts per leg.
4. Tighten using a spanner (not included).
5. Once each leg is secured and tight the table can be turned the correct way up and placed into position.



*Spanner not included

