











Parts List

1		x 1
2		x 1
3		x 2
4		x 1
5		x 1
6		x 2

Hardware List

A		Bolt M6 * 15	x 12
B		6 * 0.8	x 12
C		Allen Key	x 1
D		Spanner	x 1

Customer Services:

gardentrading.co.uk

+44 (0)1993 845 559

customerservices@gardentrading.co.uk

Opening Hours: Monday - Friday: 8.30am - 5.30pm (Friday close at 5.00pm)

The Garden Trading Company Ltd, Carterton South Industrial Estate, Black Bourton Road, Carterton, Oxon, OX18 3EZ

Garden Trading®

Drinks Trolley - Charcoal Assembly Instructions

Please read through these instructions and ensure they are kept for future reference.

Please note the parts and hardware list is on the back of this manual.

2-man assembly is recommended for this product.



Customer Services:

gardentrading.co.uk

+44 (0)1993 845 559

customerservices@gardentrading.co.uk

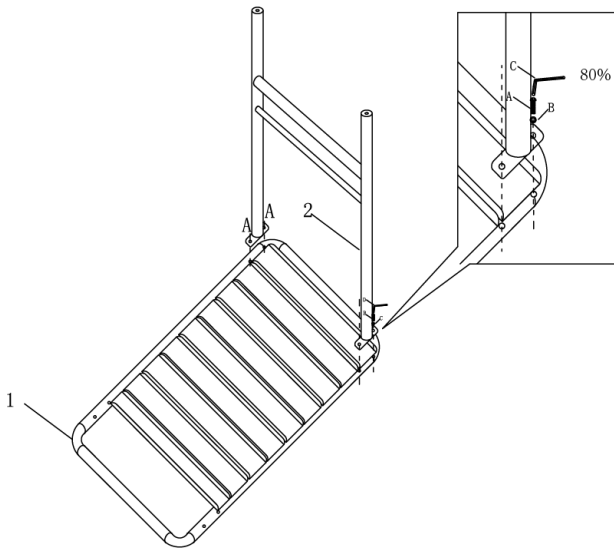
Opening Hours: Monday - Friday: 8.30am - 5.30pm (Friday close at 5.00pm)

The Garden Trading Company Ltd, Carterton South Industrial Estate, Black Bourton Road, Carterton, Oxon, OX18 3EZ

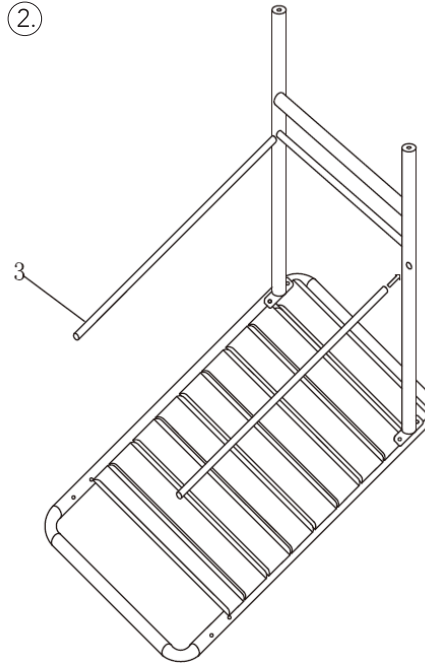
Garden Trading®

Item will need to be tipped and wheeled into place. Please ensure this is done before loading with drinks and glasses. The wheels are not designed for use on rough terrain

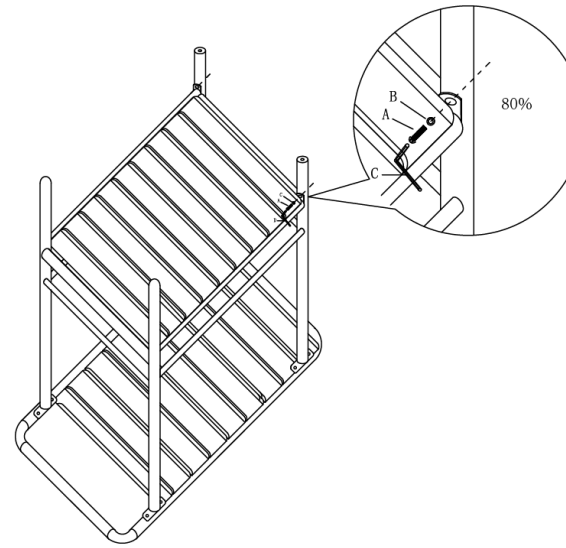
1.



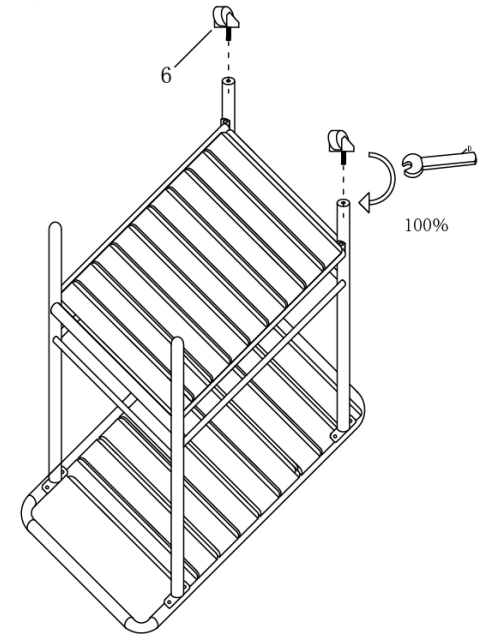
2.



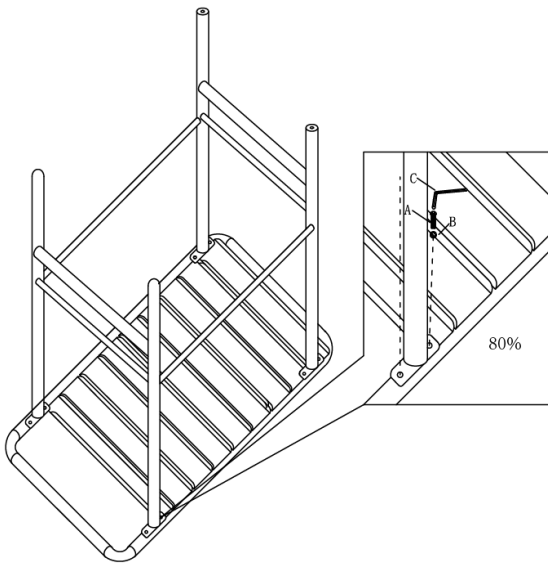
5.



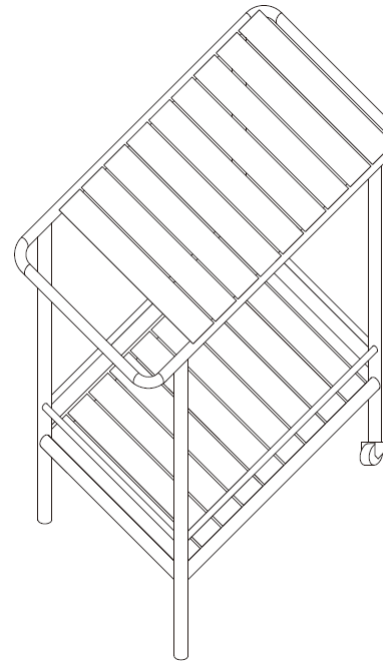
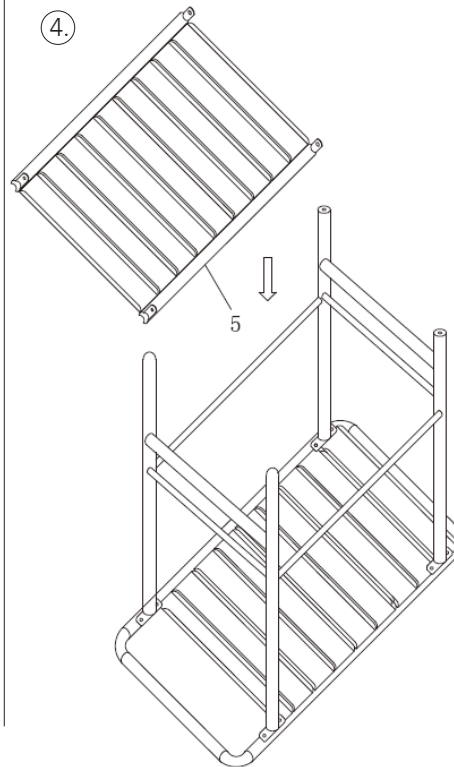
6.



3.



4.



WARNING: Do not overtighten bolts



IIDTCO01/01