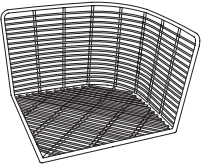
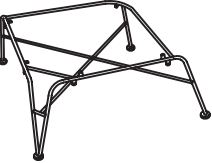




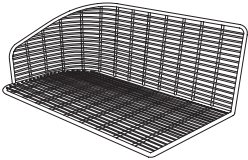
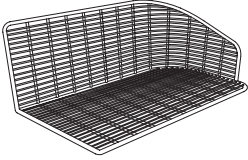
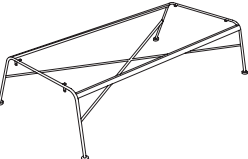







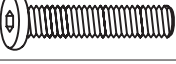


Centre Piece Parts & Hardware

A		x 1 PC
B		x 1 PC
C		x 1 PC
D		x 5 PC
E		x 5 PC
F		x 5 PC

Sofa Units Parts & Hardware

G		x 1 PC
H		x 1 PC
I		x 2 PC
J		x 1 PC
K		x 8 PC
L		x 8 PC
M		x 8 PC

Connecting Parts & Hardware

N		x 1 PC
O		x 5 PC
P		x 5 PC
Q		x 5 PC

Customer Services:

gardentrading.co.uk
+44 (0)1993 845 559
customerservices@gardentrading.co.uk

Opening Hours: Monday - Friday: 8.30am - 5.30pm (Friday close at 5.00pm)

The Garden Trading Company Ltd, Carterton South Industrial Estate, Black Bourton Road, Carterton, Oxon, OX18 3EZ

Garden Trading®

Hampstead Corner Sofa - All-weather Bamboo Assembly Instructions

Please read through these instructions and ensure they are kept for future reference.
All parts and hardware are listed on the back of this guide.

**WHEN ASSEMBLING THIS PRODUCT PLEASE PLACE PARTS
ON A SOFT SURFACE TO AVOID DAMAGE OR SCRATCHES.**



Customer Services:

gardentrading.co.uk
+44 (0)1993 845 559
customerservices@gardentrading.co.uk

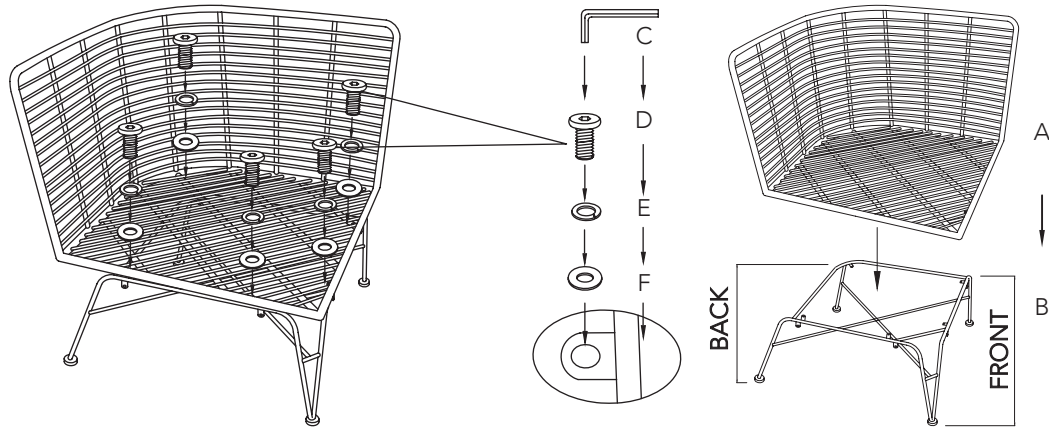
Opening Hours: Monday - Friday: 8.30am - 5.30pm (Friday close at 5.00pm)

The Garden Trading Company Ltd, Carterton South Industrial Estate, Black Bourton Road, Carterton, Oxon, OX18 3EZ

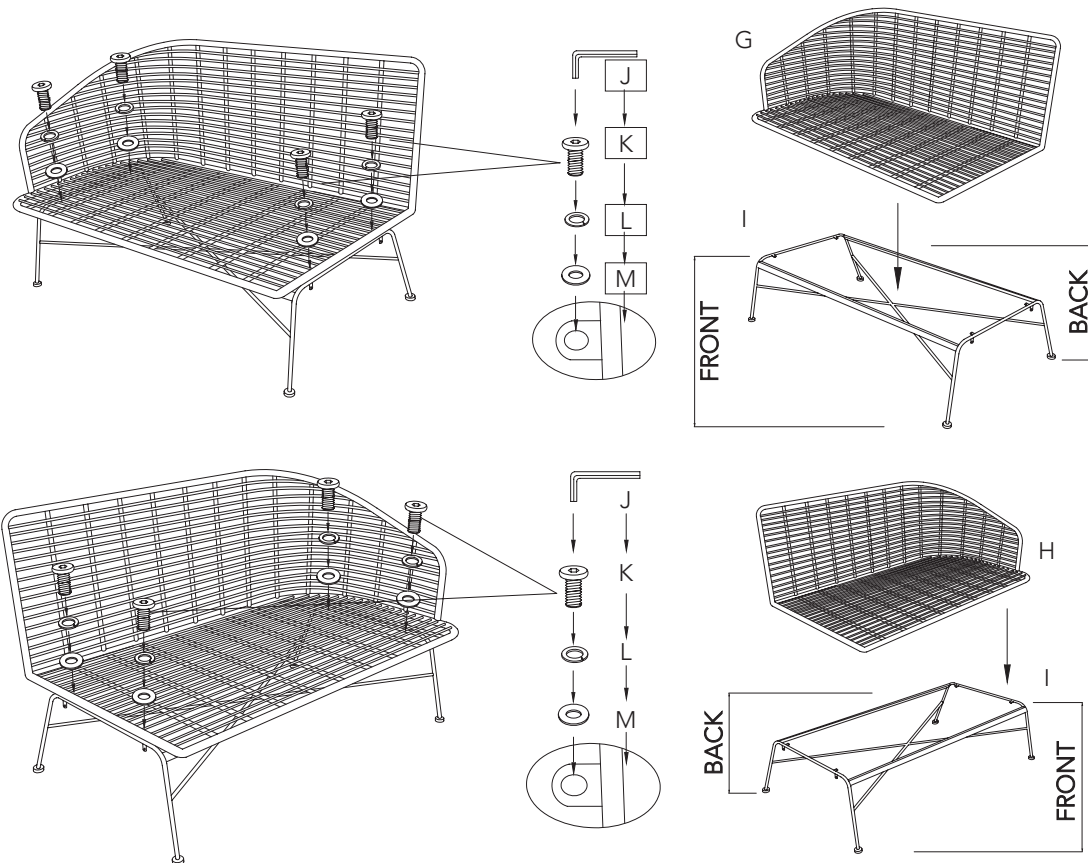
Garden Trading®

Please wipe clean with a damp cloth.
Cushion covers are removable. Hand wash only in cool water.
Do not use a pressure washer.
Do not leave in direct sunlight to prevent fading.
We recommend covering during the winter months to prolong its life.

Step 1: Assemble the corner section

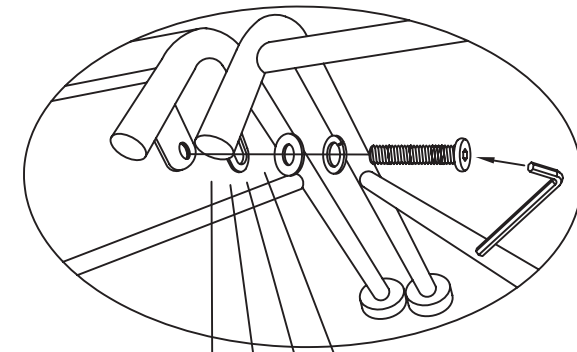


Step 2: Assemble the sofa sections



Step 3: Connect the sections together

Once the sections of your sofa set are assembled please follow the below diagram to connect securely.



Step 4: Add the cushions to the sofa

