





Hardware List

A		M8 x 50	x 2
B		M8 x 60	x 8
C		Washer	x 10
D		Wrench No. 12 (not included)	x 1

Customer Services:

gardentrading.co.uk
+44 (0)1993 845 559
customerservices@gardentrading.co.uk

Opening Hours: Monday - Friday: 8.30am - 5.30pm (Friday close at 5.00pm)

The Garden Trading Company Ltd, Carterton South Industrial Estate, Black Bourton Road, Carterton, Oxon, OX18 3EZ

Garden Trading®

St Mawes Drinks/Planter Bar Table - 180cm - Teak Assembly Instructions

Please read through these instructions and ensure they are kept for future reference.

Please note the hardware list is on the back of this manual. Tools not included.

2-man assembly is recommended for this product.



Please note that each piece of wood used in making this product have been carefully selected by hand and natural flaws are a characteristic of this material.

Naturally over time this reclaimed teak will turn a soft grey colour.

We recommend using Teak Oil to protect, feed and nourish the wood.

Customer Services:

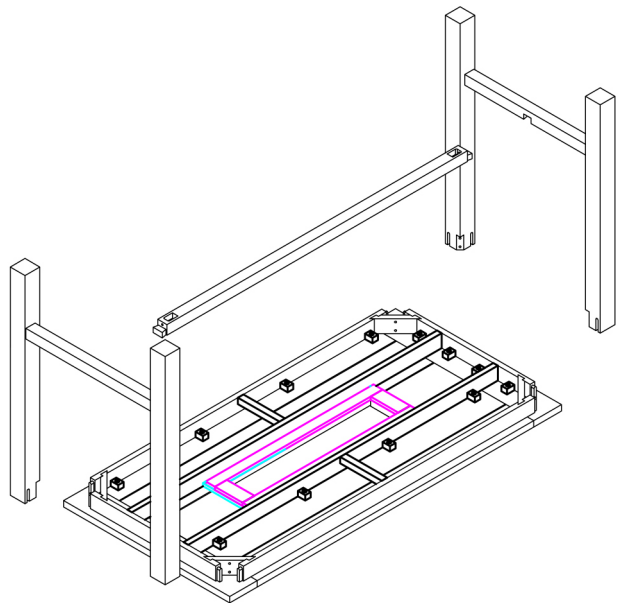
gardentrading.co.uk
+44 (0)1993 845 559
customerservices@gardentrading.co.uk

Opening Hours: Monday - Friday: 8.30am - 5.30pm (Friday close at 5.00pm)

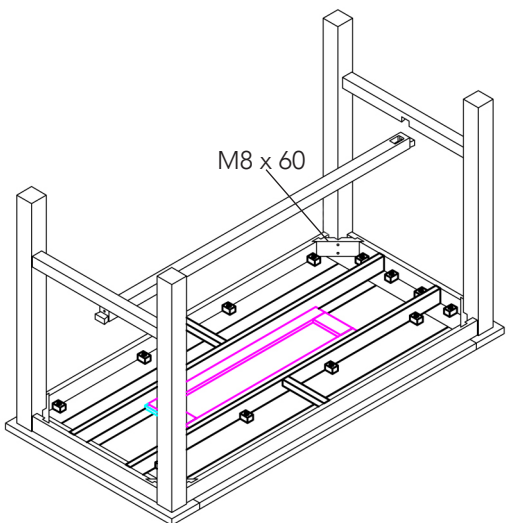
The Garden Trading Company Ltd, Carterton South Industrial Estate, Black Bourton Road, Carterton, Oxon, OX18 3EZ

Garden Trading®

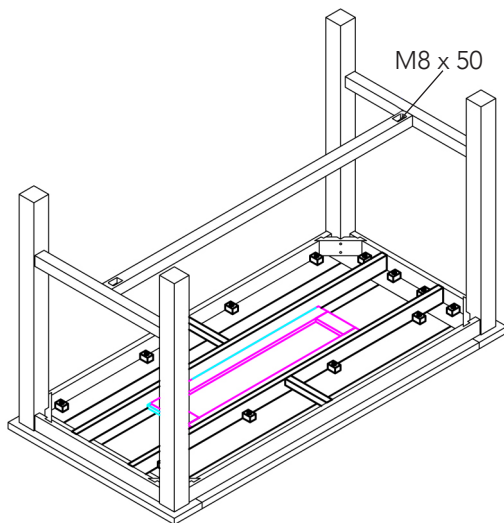
1.



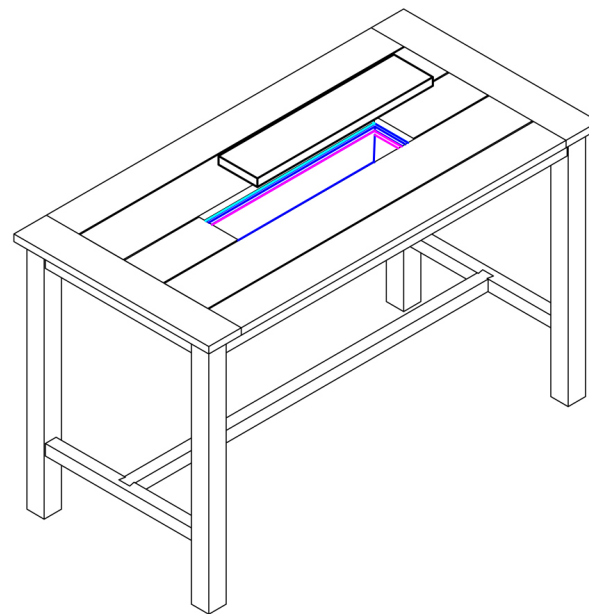
2.



3.



4.



5.

