

Extra Information/Notes

1. Once these instructions have been correctly carried out, the mains can be re-connected and the fitting will be ready for use
2. Please keep these instructions available for future use
3. We recommend cleaning with a soft dry cloth. Don't use abrasive materials, this may affect the finish and therefore void the warranty
4. Waste electrical products should not be disposed of with household waste. Please recycle where facilities exist. Check with your Local Authority or retailer for recycling advice.

Customer Services:

www.gardentrading.co.uk

+44 (0)1993 845 559

customerservices@gardentrading.co.uk

Opening Hours: Monday - Friday: 8.30am - 5.30pm (Friday close at 5.00pm)

The Garden Trading Company Ltd, Carterton South Industrial Estate, Black Bourton Road, Carterton, Oxon, OX18 3EZ

Garden Trading®

Troika Double Plaster Wall Light Installation Instructions

Please read through these instructions and ensure they are kept for future reference.

Please note, this fitting is not dimmable.

Includes: 2 x 3W LED bulb and driver units (non-replaceable)



Safety Information

Lights that require wiring in:

1. It is recommended that this fitting is installed by a qualified electrician.
2. The fitting should be fitted in accordance with current UK Buildings and Wiring Regulations.
3. Before attempting installation or maintenance, ensure the power is switched off at the mains power switch. Ensure other persons cannot restore the electricity supply without your knowledge.
4. If in doubt, please consult a qualified electrician.
5. To avoid damage to concealed wiring during installation, establish the direction of the supply cable before drilling fixing holes.
6. This fitting should be fitted to a lighting supply with a protected 5-amp fuse or equivalent circuit breaker.
7. This fitting is supplied with 2 x 3W LED bulb and driver units which are non-replaceable.
8. During installation please take care not to damage, scratch or wipe the LED chip as this can easily cause damage and will affect the colour of the light output. Please refer to No. 3 on page 2 of installation instructions.

Damaging the LED during installation will affect your product warranty.

Customer Services:

www.gardentrading.co.uk

+44 (0)1993 845 559

customerservices@gardentrading.co.uk

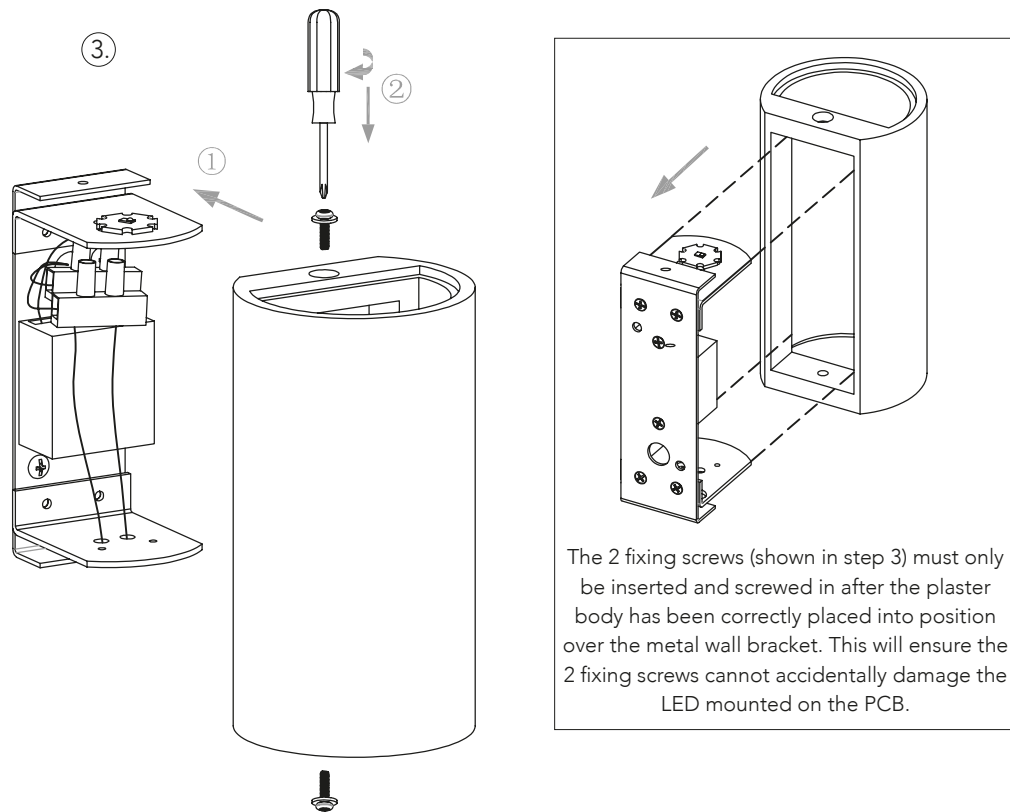
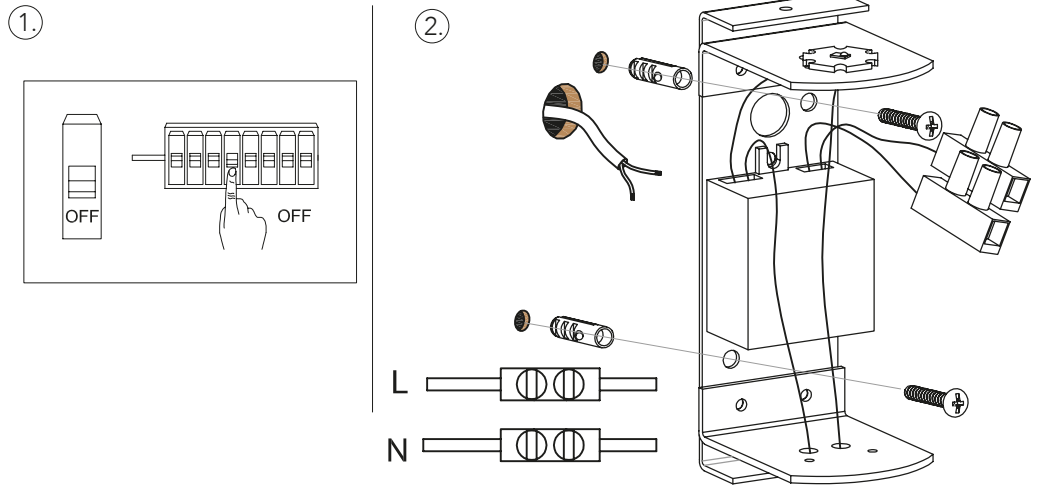
Opening Hours: Monday - Friday: 8.30am - 5.30pm (Friday close at 5.00pm)

The Garden Trading Company Ltd, Carterton South Industrial Estate, Black Bourton Road, Carterton, Oxon, OX18 3EZ

Garden Trading®

Installation

- Please read through these instructions carefully before installation
- This light fitting is suitable for indoor use only



④



Household Circuit Information

| Household Circuit | Connects to | Fitting Wire Colour |
|-------------------------------------|-------------|---------------------|
| Blue or Black (Neutral) | > | Neutral 'N' |
| Green/Yellow-sleeved Copper (Earth) | > | Green/Yellow |
| Brown or Red – Switched Live | > | Live 'L' |

Check that...

- You have correctly identified the house wires
- The connections are tight
- No loose strands have been left out of the connection block