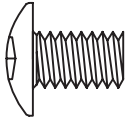



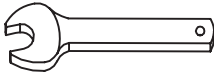

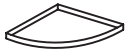
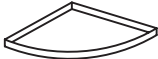
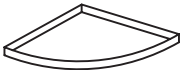


## Parts & Hardware List

A		M5X10 x 12 PC
B		M5X0.5 x 12 PC
C		M5 x 12 PC
D		x 1 PC
E		x 1 PC
F		x 1 PC
G		x 1 PC
H		x 1 PC
I		x 1 PC

### Customer Services:

gardentrading.co.uk  
+44 (0)1993 845 559  
customerservices@gardentrading.co.uk

Opening Hours: Monday - Friday: 8.30am - 5.30pm (Friday close at 5.00pm)

The Garden Trading Company Ltd, Carterton South Industrial Estate, Black Bourton Road, Carterton, Oxon, OX18 3EZ

# Garden Trading®

## Corner Plant Stand in Charcoal - Steel Assembly Instructions

Please read through these instructions and ensure they are kept for future reference.  
Please note the parts and hardware list is on the back of this manual.



5kgs per shelf.

Recommended for indoor use only as water will collect on the tray if left outside for an extended period.

### Customer Services:

gardentrading.co.uk  
+44 (0)1993 845 559  
customerservices@gardentrading.co.uk

Opening Hours: Monday - Friday: 8.30am - 5.30pm (Friday close at 5.00pm)

The Garden Trading Company Ltd, Carterton South Industrial Estate, Black Bourton Road, Carterton, Oxon, OX18 3EZ

# Garden Trading®

