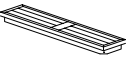
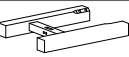





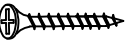


Parts & Hardware

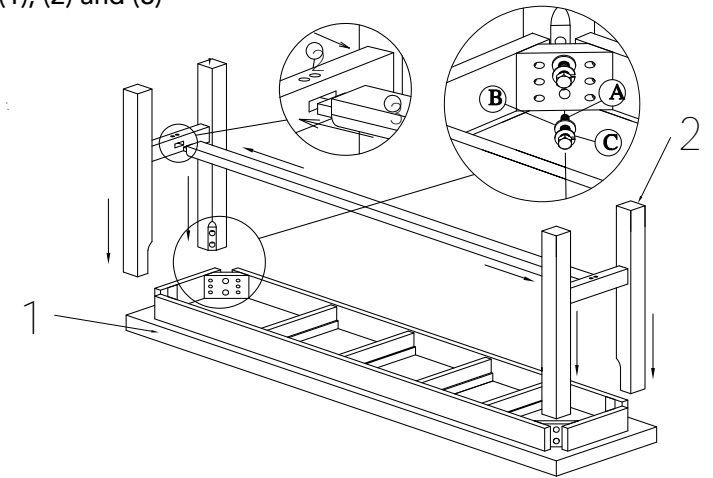
NO	HARDWARE LIST		QTY
1		BENCH TOP	1
2		LEGS	2
3		SUPPORT	1
A		BOLT M8 X 60	8
B		WASHER M8	8
C		SPRING WASHER M8	8
D		13mm HEX WRENCH	1
E		SCREW M4 X 30	4

Garden Trading®

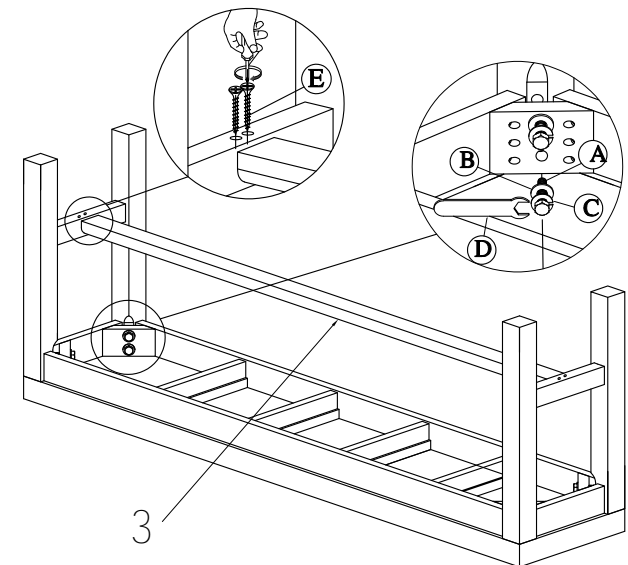
Brookville Bench - Pine Assembly Instructions

Please read through these instructions and ensure they are kept for future reference. All parts and hardware are listed on the back of this guide.

Step 1
Assemble parts (1), (2) and (3)



Step 2



Customer Services:

gardentrading.co.uk

+44 (0)1993 845 559

customerservices@gardentrading.co.uk

Opening Hours: Monday - Friday: 8.30am - 5.30pm (Friday close at 5.00pm)

The Garden Trading Company Ltd, Carterton South Industrial Estate, Black Bourton Road, Carterton, Oxon, OX18 3EZ

